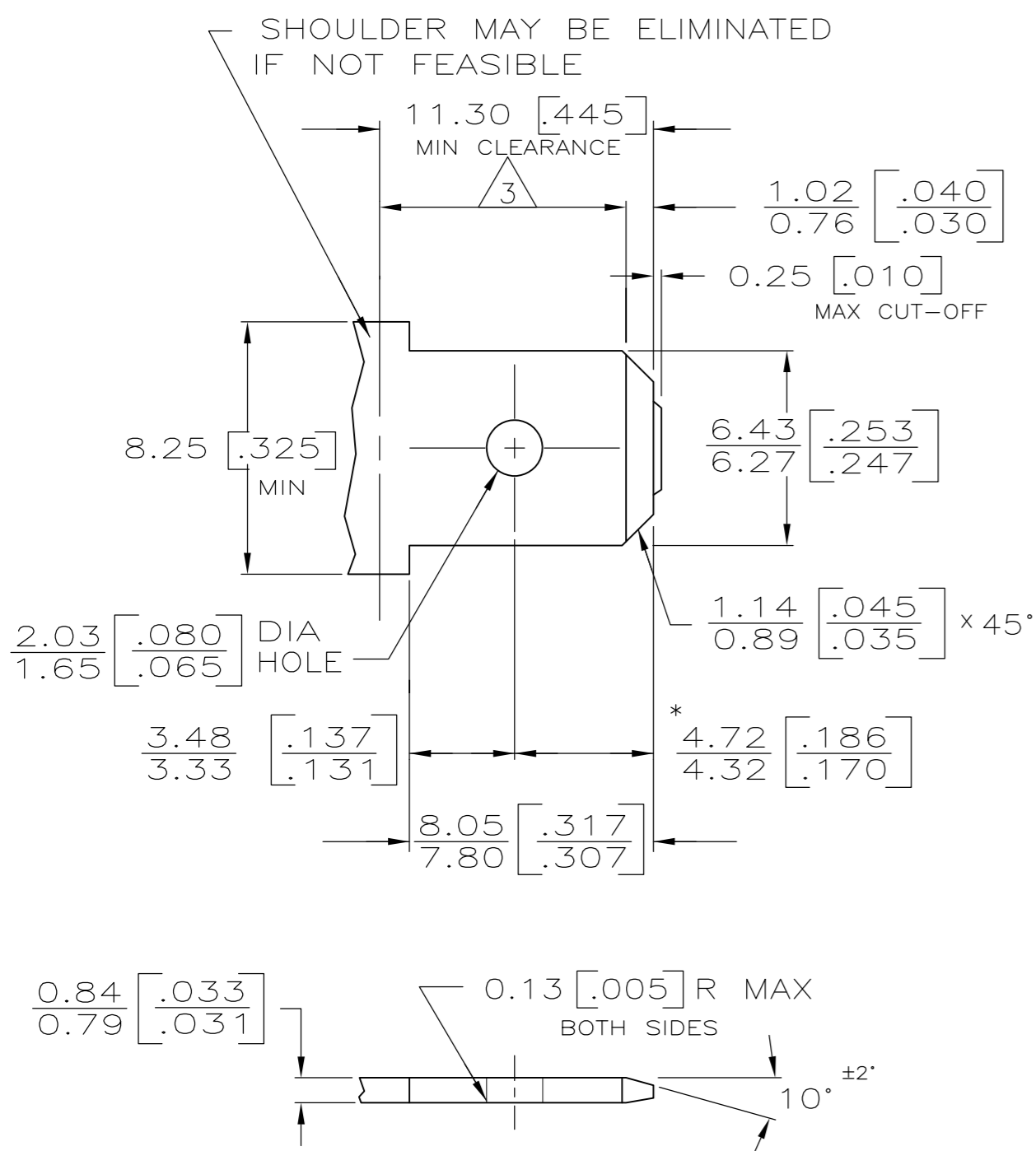


THIS DRAWING IS UNPUBLISHED. RELEASED FOR PUBLICATION
 © COPYRIGHT - By - ALL RIGHTS RESERVED.

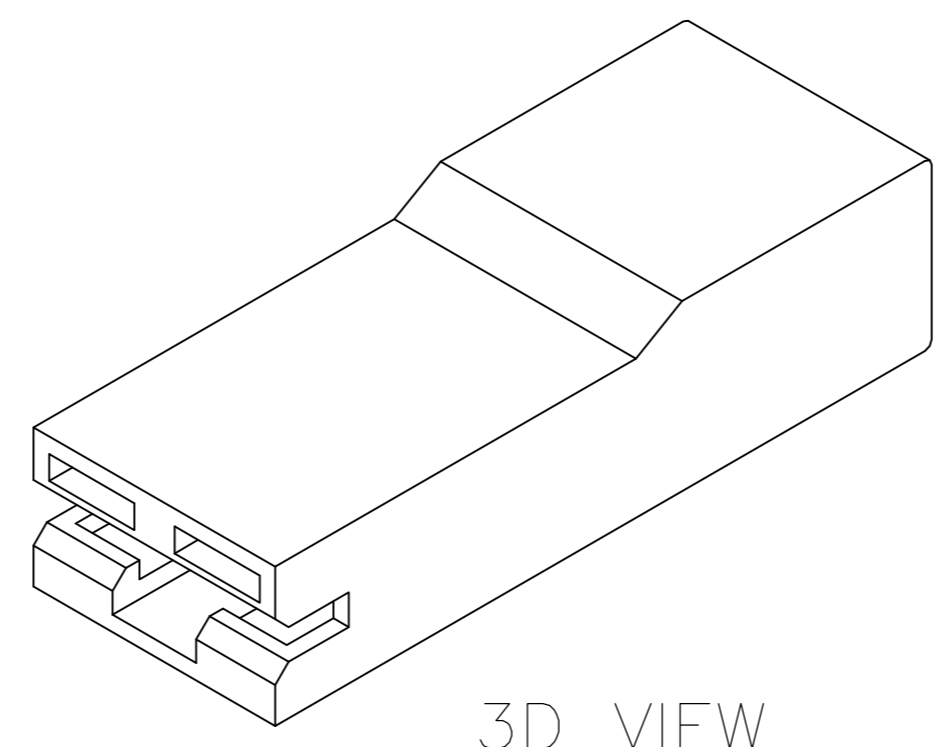
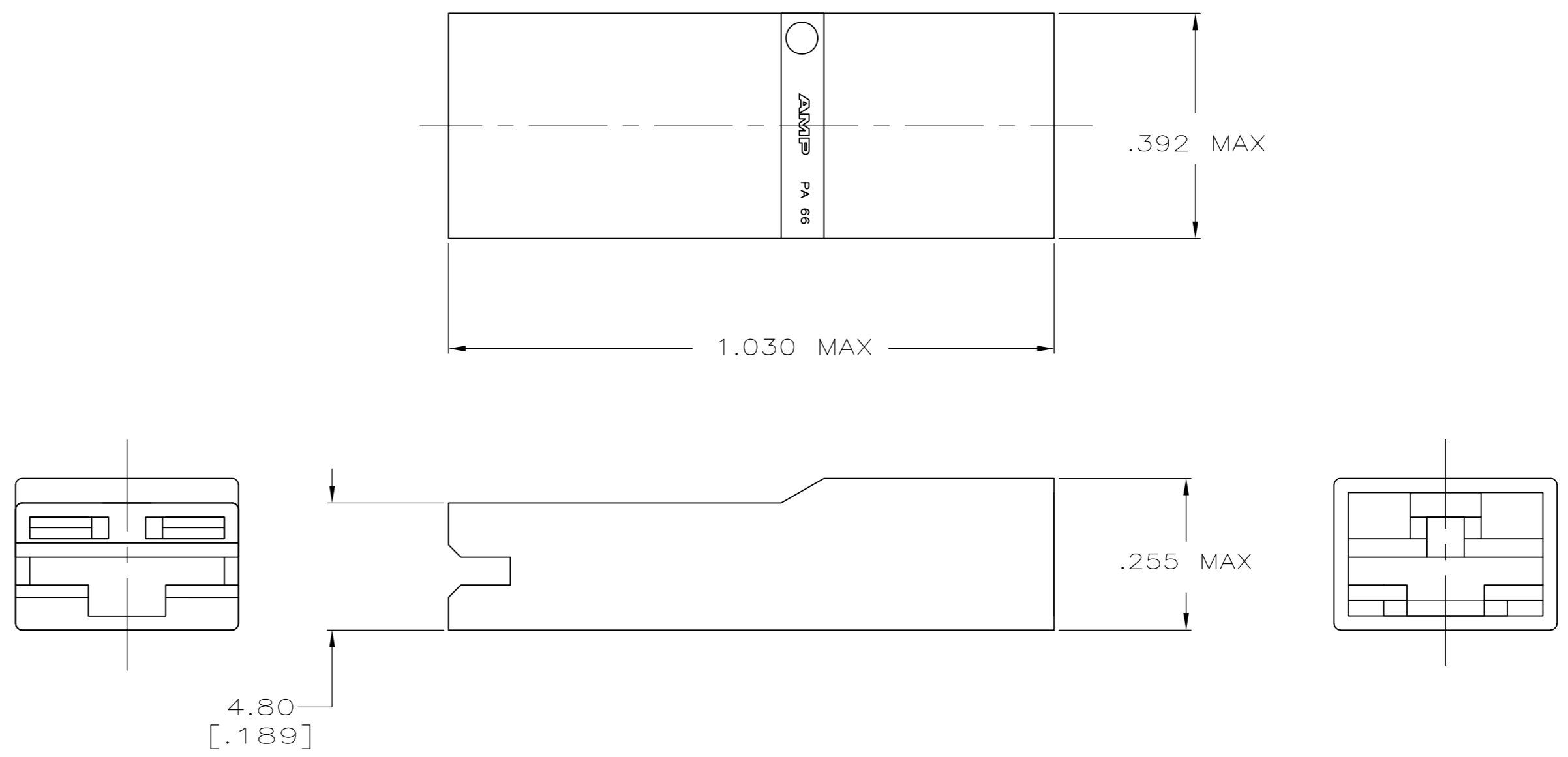
LOC		DIST		REVISIONS					
AF		50		P	LTR	DATE	DWN	APVD	
				M7		REVISED PER ECR-13-011067	16JUL13	KH	PD

- 1 ALL DIMENSIONS APPLY TO A MOISTURIZED HOUSING.
- 2 PRELIMINARY - NOT FOR PRODUCTION
- 3 OFFERED FOR CONSIDERATION IN "NON-DRIP" HOUSING MATERIAL APPLICATIONS.
- 4 OBSOLETE PARTS: OBSOLETE CIS STREAMLINING I PER D.RENAUD/D.SINIS
- 5 PREPRODUCTION-FASR REQUIRED

SUGGESTED MATING TAB



- 1 - MATL: 1/2 H BRASS OR NICKEL PL STEEL.
- 2 - NO BURRS PERMISSIBLE AT HOLE.
- 3 - MUST BE FLAT WITHIN 0.076 [.003] OVER THIS LENGTH.
- 4 - TIN PLATING IS REQUIRED ON BRASS WHEN TERMINAL TEMP. IS OVER 225° F
- 5 - HOLE MUST BE SYMMETRICAL ABOUT TAB Q WITHIN 0.076 [.003]
- * TO BE USED ONLY WHEN SHOULDER IS ELIMINATED.



3D VIEW

THIS DRAWING IS A CONTROLLED DOCUMENT.		DWN	JR RUTH	7/3/96		TE Connectivity					
DIMENSIONS: mm [INCHES]		CHK	MS FEHER	7/3/96		NAME HOUSING, RECEPTACLE, POSITIVE-LOCK, MKIII, 6.35 [.250] SERIES	SIZE	CAGE CODE	DRAWING NO	RESTRICTED TO	
TOLERANCES UNLESS OTHERWISE SPECIFIED:		APVD	J GILLISPIE	7/3/96			PRODUCT SPEC	A2	00779	C=521120	-
0 PLC ± - 1 PLC ± - 2 PLC ± 0.25 [.010] 3 PLC ± - 4 PLC ± - ANGLES ± -		APPLICATION SPEC		WEIGHT		-	SCALE	5:1	SHEET	1 OF 2	REV
MATERIAL SEE TABLE		FINISH SEE TABLE		CUSTOMER DRAWING							


THIS DRAWING IS UNPUBLISHED. RELEASED FOR PUBLICATION
 © COPYRIGHT - By - ALL RIGHTS RESERVED.

LOC	DIST	REVISIONS			
P	LTR	DESCRIPTION	DATE	DWN	APVD
		SEE SHEET 1			

COLOR	MATERIAL	FINISH	PART NO
BROWN	66/6 NYLON, V0	5	2-521120-5
YELLOW	66/6 NYLON, V0	5	2-521120-4
GREEN	66/6 NYLON, V0	5	2-521120-3
RED	66/6 NYLON, V0	5	2-521120-2
BLUE	66/6 NYLON, V0	5	2-521120-1
BROWN	6/6 NYLON, V2	5	2-521120-0
YELLOW	6/6 NYLON, V2	5	1-521120-9
GREEN	6/6 NYLON, V2	5	1-521120-8
NATURAL	6/6 NYLON, V2	5	1-521120-7
BLACK	66/6 NYLON, V0	5	1-521120-6
NATURAL	66/6 OR 66 NYLON, V0	2	1-521120-5
NATURAL	6/6 NYLON, V0	2	1-521120-4
NATURAL	66/6 OR 66 NYLON, V0		1-521120-3
YELLOW	6/6 NYLON		1-521120-2
BLUE	6/6 NYLON		1-521120-1
GREEN	6/6 NYLON		1-521120-0
RED	6/6 NYLON		-521120-9
BLACK	6/6 NYLON		521120-8
NATURAL	6/6 NYLON		521120-7
BLACK	4/6 NYLON		521120-6
RED	6/6 NYLON		521120-5
BLUE	6/6 NYLON		521120-4
PUTTY	6/6 NYLON		-521120-2
NATURAL	6/6 NYLON		521120-1

4 OBSOLETE

4 OBSOLETE

THIS DRAWING IS A CONTROLLED DOCUMENT.		DWN	JR RUTH	7/3/96	 TE Connectivity
DIMENSIONS: mm [INCHES]		CHK	MS FEHER	7/3/96	
TOLERANCES UNLESS OTHERWISE SPECIFIED:		APVD	J GILLISPIE	7/3/96	
0 PLC ± - 1 PLC ± - 2 PLC ± 0.25 [.010] 3 PLC ± - 4 PLC ± - ANGLES ± -		PRODUCT SPEC	NAME		
MATERIAL SEE TABLE		APPLICATION SPEC	HOUSING, RECEPTACLE, POSITIVE-LOCK, MKIII, 6.35 [.250] SERIES		RESTRICTED TO
FINISH SEE TABLE		WEIGHT	A2 00779 C=521120		
		CUSTOMER DRAWING		SCALE 5:1	SHEET 2 OF 2
				REV M7	